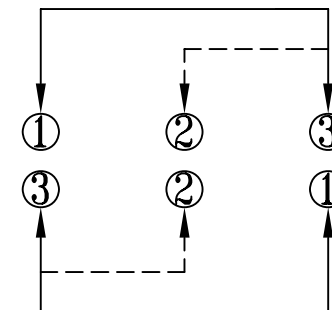
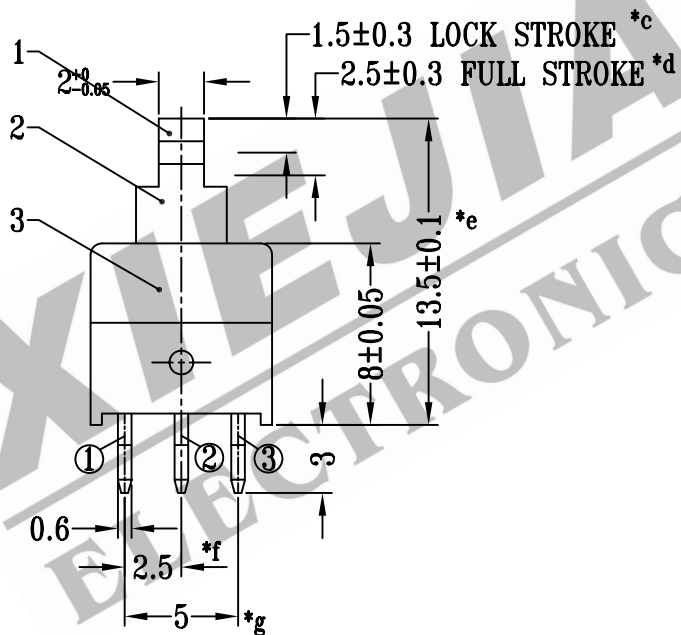
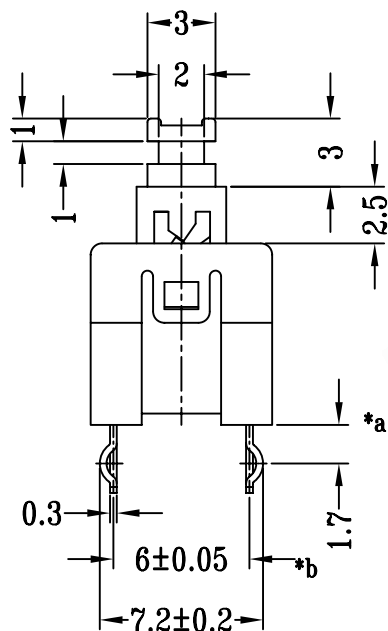
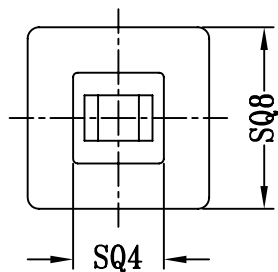
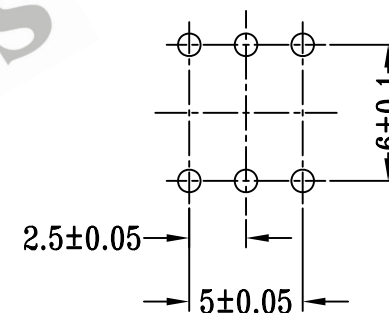


CAD FILE:



SCHEMATIC



P.C.B LAYOUT

注:带*表示关键尺寸(7个)

8					TOLERANCE	SHENZHEN XIEJIA ELECTRONICS CO.,LTD.					
7					UNLESS SPECIFIED						
6					WITHIN: 1.5±0.1mm						
5	CONTACT	PBS STRIP	2	Ag CLAD	OVER : 1.5±0.2mm	ISSUE	DATE	DESCRIPTIONS		APPD.	
4	SPRING	SUS	1	TEMPER		TITLE : VERTICAL PUSH SWITCH		UNIT : MM	DRWG NO.: XJ-DR-PB22E78-00		
3	CASE	PBT/BRASS STRIP	1	BLACK/Ag PLATED		MODEL: PB-22E78		SCALE: 3 : 1	DWN.	ZHOUYU	2005-10-21
2	COVER	POM	1	WHITE					CHK'D	FANGYING	2005-10-21
1	KNOB	POM	1	BLACK					APPD.	KANGXINAN	2005-10-21
NO.	PART NAME	MATERIAL	Q'TY	FINISHING	ALL MATERIALS MUST BE COMPLIANT TO ROHS						